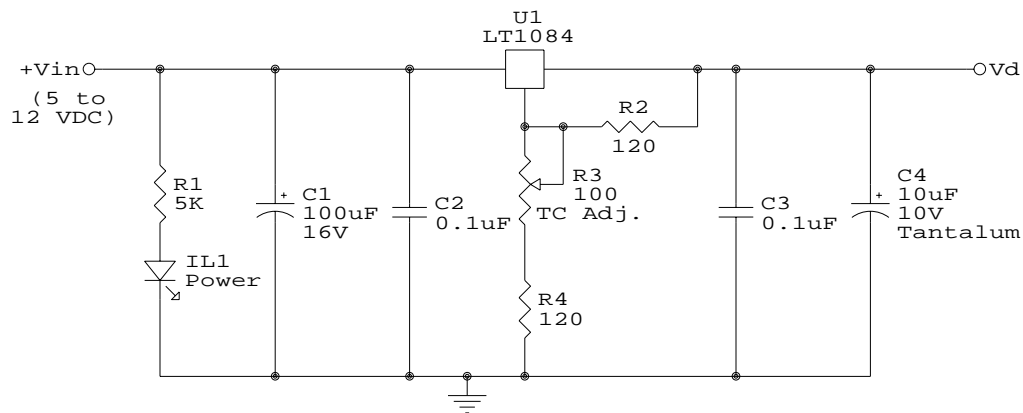
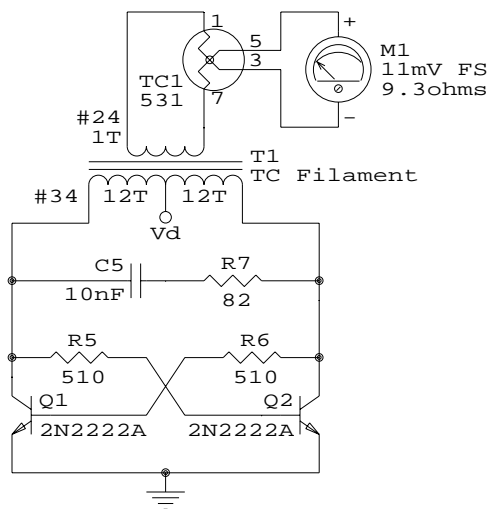


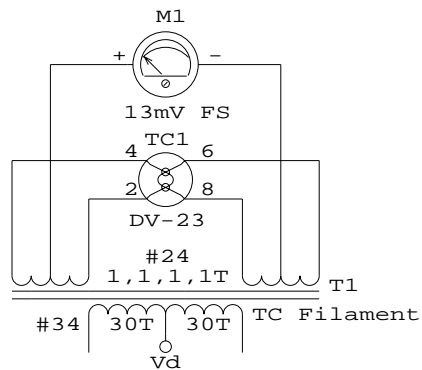
Universal TC Vacuum Gauge Tube Driver



Power Regulator



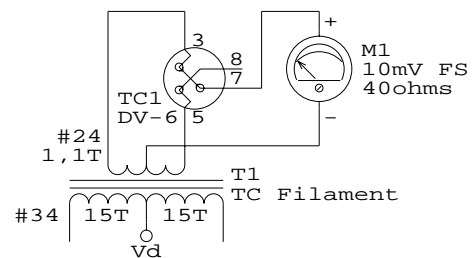
Varian 531



Hastings DV-23

(Similar for DV-24)

Note: Center leg of T1 core is approximately 0.19" in diameter.



Hastings DV-6

(Similar for DV-3,4,5,8)

Drawn by: Samuel M. Goldwasser
sam@repairfaq.org

Based on a design by: Sam Schwartz

Title		
Universal TC Vacuum Gauge Tube Driver		
Size	Document Number	REV
A	TCDVR-SCH	1.0
Date:	May 11, 2002	Sheet 1 of 1