

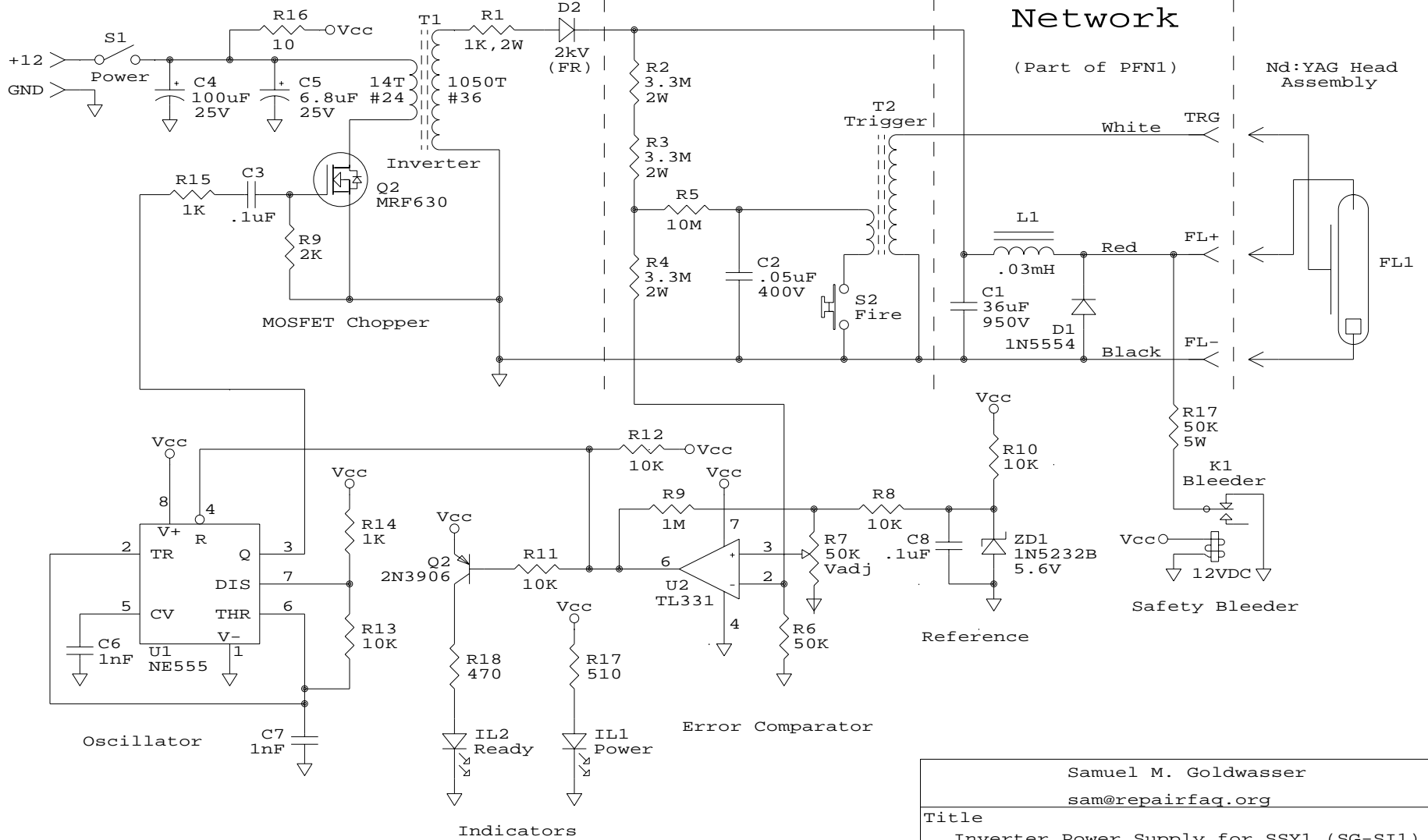
Inverter Power Supply for SSY1 (SG-SI1)

Capacitor Charger

Trigger Circuit

Pulse Forming Network

(Part of PFN1)



Samuel M. Goldwasser		
sam@repairfaq.org		
Title Inverter Power Supply for SSY1 (SG-SI1)		
Size	Document Number	REV
A	SG-SI1-SCH	1.0
Date:	July 25, 2000	Sheet 1 of 1