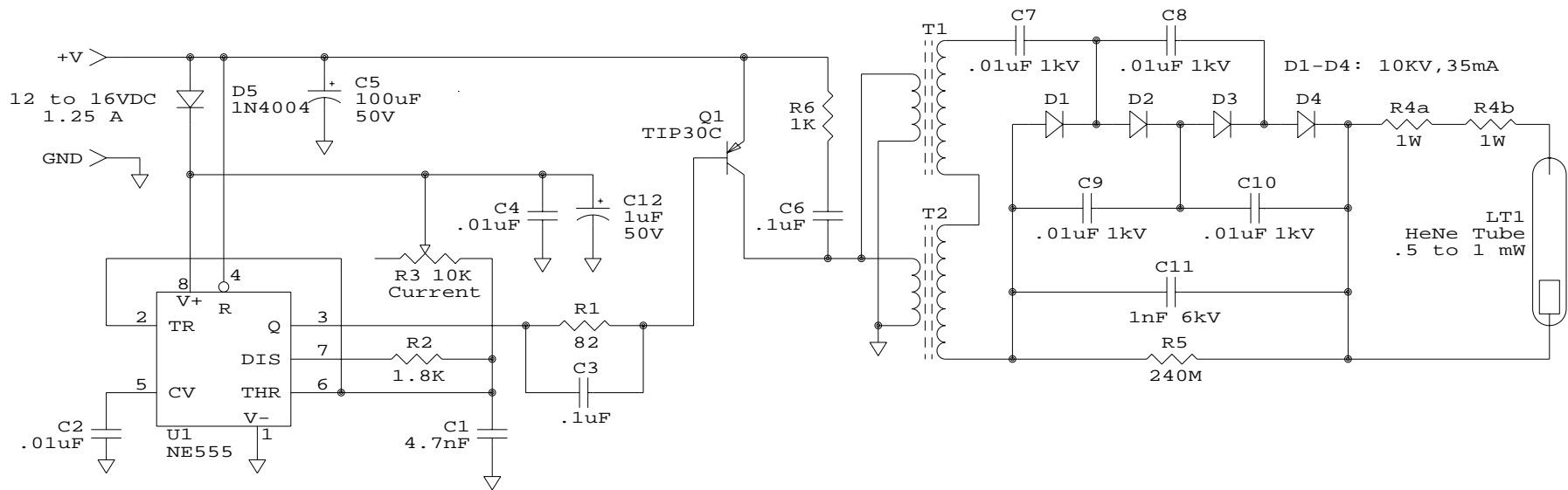


Electronic Goldmine HeNe Laser PSU (EG-LPS1)



Notes:

1. R4 is ballast resistor. Should be between 100K and 175K.
2. DO NOT apply power without tube connected.
3. Start with R3 fully clockwise (CW, max R). Adjust R2 CCW until just beyond when tube comes on steady. Do not exceed 1.25 A.
4. Turns configuration has not been determined.

Drawn by: Samuel M. Goldwasser		
sam@repairfaq.org		
Title		
Electronic Goldmine HeNe Laser PSU (EG-LPS1)		
Size	Document Number	REV
A	EG-LPS1-SCH	1.0
Date:	November 29, 2000	Sheet 1 of 1