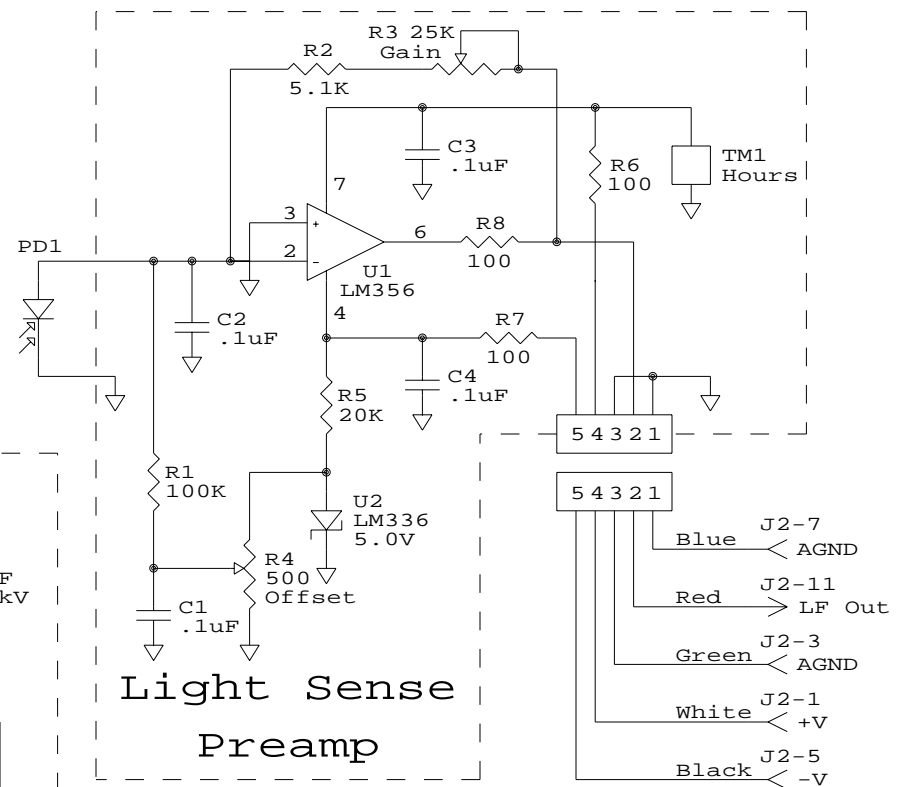
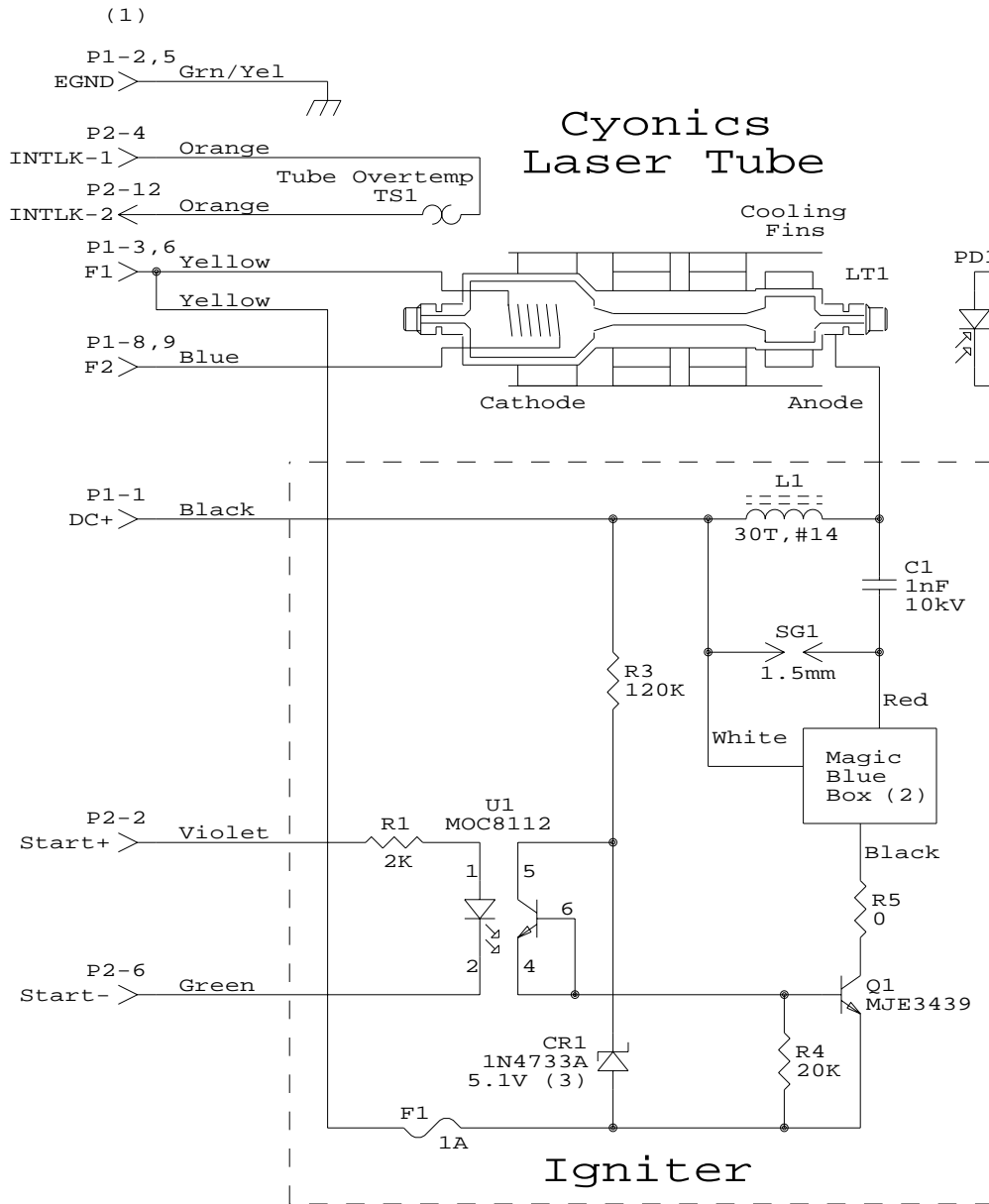


# Cyronics/Uniphase 2214 Laser Head



## Notes:

1. Cable designations J1 for power (9 pin AMP Universal Mate-N-Lock) and J2 for control (14 pin medium DIN) are arbitrary since they were not labeled.
2. Magic Blue Box includes start oscillator, SCR, and high voltage pulse transformer.
3. Zener specs estimated.

Drawn by: Samuel M. Goldwasser

sam@stdavids.picker.com

Title

Cyronics/Uniphase 2214 Laser Head

Size Document Number

A CU-2214-HEAD

REV

1.0

Date: October 29, 1999 Sheet 1 of 1